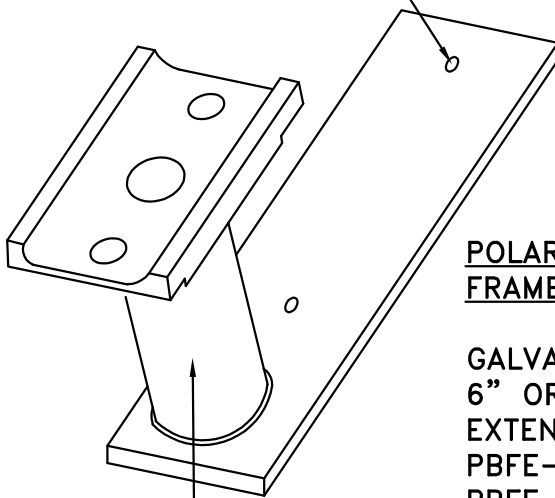


**NOTES:**

1. ACCESSIBLE PUSHBUTTON STATION (APS) SHALL BE POLARA TYPE UNLESS OTHERWISE NOTED OR AS APPROVED BY THE COUNTY TRAFFIC ENGINEER.
2. APS SHALL BE POWDER COAT BLACK.
3. APS SHALL BE INSTALLED IN A LOCATION IN ACCORDANCE WITH ADA AND MUTCD STANDARDS.
4. ACCU SHALL BE PLACED INSIDE THE CABINET AND CONFIGURED PRIOR TO INSPECTION.
5. CENTER OF PUSHBUTTON SHALL BE MOUNTED AT 42" PER ADA AND MUTCD REQUIREMENTS. IF THE PUSHBUTTON MOUNTING HEIGHT IS IN CONFLICT WITH A POLE SKIRT OR OTHER OBSTRUCTIONS. A EXTENDER SHALL BE POWDER COAT BLACK.

R10-3e TO BE MOUNTED TO APS BRACKET/FACE

EXTENDER SHALL BE BOLTED TO POLE OR BANDED

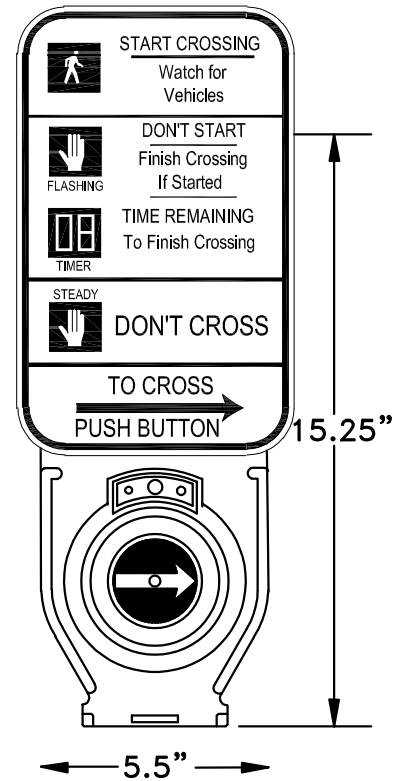


ROUTE WIRES IN EXTENDER TUBE

R10-3(e)  
9" x 15"

POLARA PUSHBUTTON  
FRAME EXTENDER:

GALVANIZED STEEL,  
6" OR 12"  
EXTENDER PART  
PBFE-06 OR  
PBFE-12



ACCESSIBLE PUSHBUTTON STATION

1	01/31/2019
REVISION & DATE	



ARLINGTON COUNTY, VIRGINIA  
DEPARTMENT OF ENVIRONMENTAL SERVICES

DRAWING NO.  
**68-01**  
FORMERLY TS7-6.1