

1" CONDUIT FOR GROUNDING

1" CHAMFER

BOLT CIRCLE

9" DIAMETER CONDUIT AREA

ANCHOR BOLTS

21"

SECTION A-A

3" ANCHOR BOLT PROJECTION

1" CONDUIT

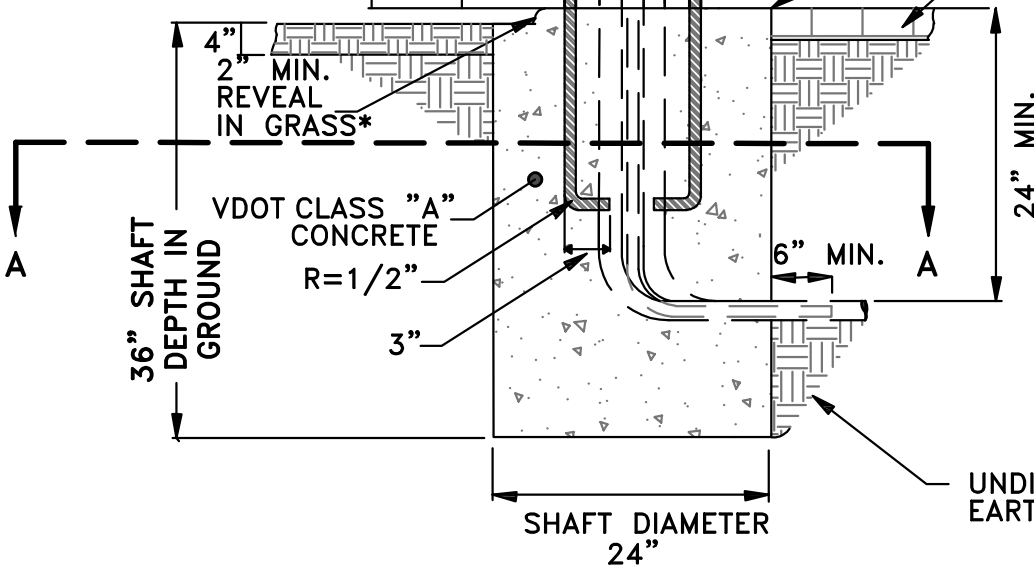
2-2" GALVANIZED STEEL OR PVC CONDUIT

ANCHOR BOLTS (4) REQUIRED

2"-4" PROJECTION FOR CONDUIT

1/2" EXPANSION JOINT FILLER WITH SEALER

CONCRETE SIDEWALK OR PAVEMENT



NOTES:

1. FOUNDATION TOP SHALL BE FINISHED AND LEVEL.
2. ANCHOR BOLTS SHALL BE 3/4"X18".
3. BOLT PATTERN SHALL BE PARALLEL TO THE CURB.
4. ALL CONDUIT RADII ARE 90 (R) 24" SWEEPS.
5. THIS DETAIL DOES NOT APPLY TO CARLYLE STREETLIGHT POLES.
6. REVEAL IS FLUSH IN SIDEWALK/CONCRETE.*

PEDESTAL POLE FOUNDATION

Rev. 1 11/21

REVISION & DATE



ARLINGTON COUNTY, VIRGINIA
DEPARTMENT OF ENVIRONMENTAL SERVICES

DRAWING NO.
66-04
FORMERLY TS4-3